



FB INTERNATIONAL, INC.
 1 Raritan Road
 Oakland, NJ 07436
 Tel: +1 201 337 1985
 Fax: +1 201 337 4848
 Email: services@fbinternational.net

VELOCE WOOD BOOTH PACKAGE SPECIFICATION SHEET

VELOCE WOOD SYSTEM

The VELOCE SYSTEM combines elegance and functionality, easy to adapt to all exhibitors' needs. All items suited in the VELOCE SYSTEM offers you modularity and flexibility for the booths.

■ **VELOCE SYSTEM OFFERS:**

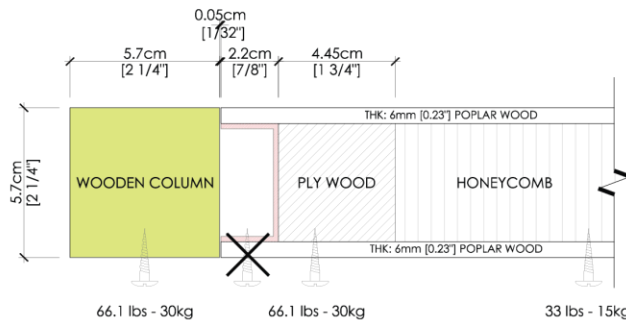
Quick set-up, easy fixing panels, lightweight, all-in-one structure with aluminum channels to hide wires fix lights and company signs.

■ **DAMAGED PANELS:**

- Refurbishing fees(\$300.00)are assessed for:
- hole larger than 6.3mm(0.25") in diameter i.e plasma mounts, furnishings or graphics.
 - any graphics, wall coverings wallpaper or adhesives not removed.
 - any hardware not removed (of any size).

You will not be charged a refurbishing fee if you paint the panels .

*Nails or screws must be a maximum of 5cm [1.96"] long



- **ALUMINUM FRAMEWORK :**
 These areas are not available to nail or screw.
- ▨ **Plywood :**
 In these areas you can place nails or screws for mounting purposes. (Support up to 30kg - 66.1lbs).
- ▨ **HONEYCOMB POPLAR PLYWOOD :**
 In these areas you can place nails or screws for mounting purposes. (Support up to 15kg - 33lbs).
- **COLUMN :**
 In these areas you can place nails or screws for mounting purposes. (Support up to 30kg - 66.1lbs).

* Every panel is connected with a solid hard wood column.



FB INTERNATIONAL, INC.
 1 Raritan Road
 Oakland, NJ 07436
 Tel: +1 201 337 1985
 Fax: +1 201 337 4848
 Email: services@fbinternational.net

VELOCE WOOD BOOTH PACKAGE SPECIFICATION SHEET

